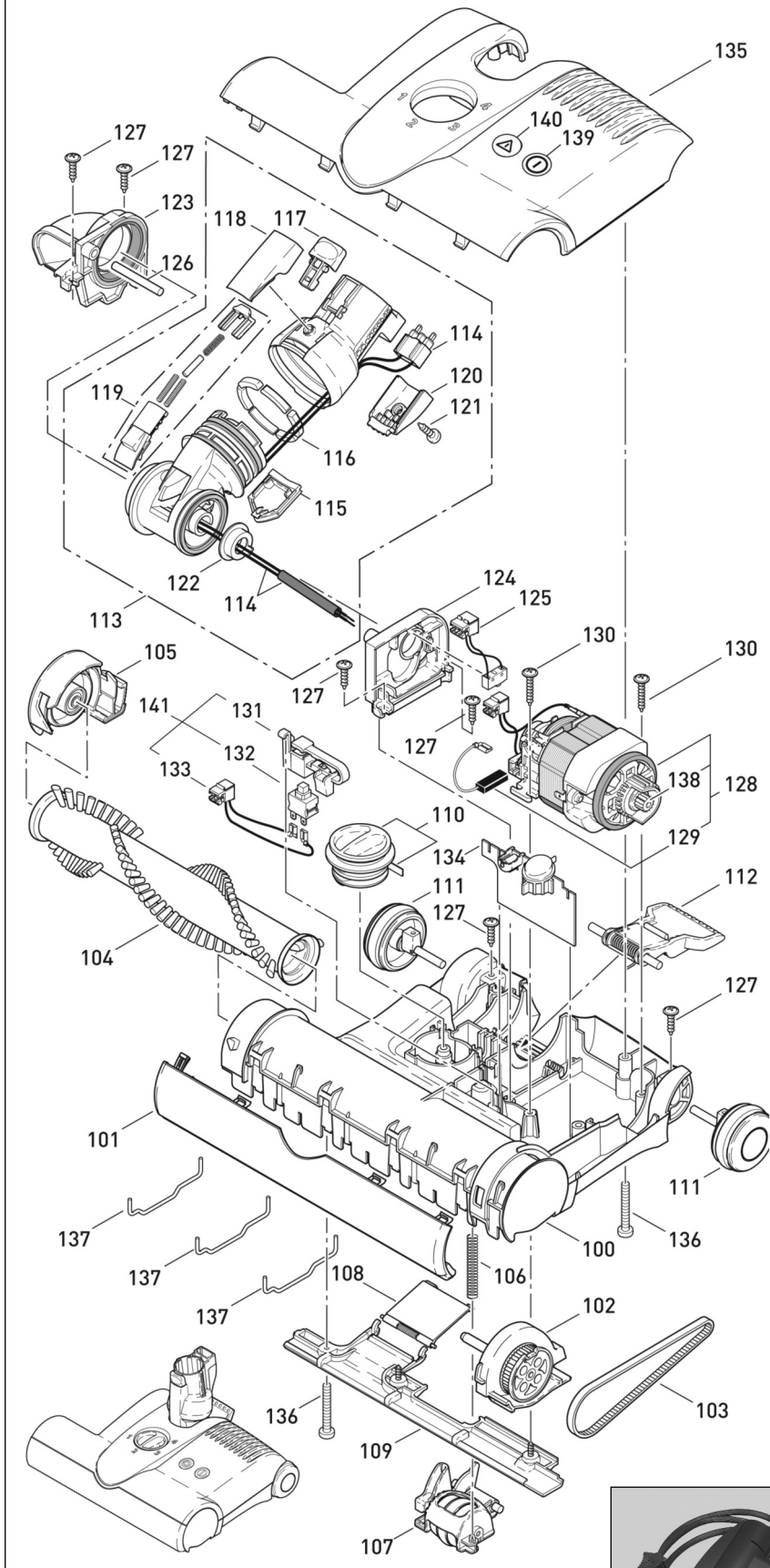


ET-1 SCHEMATIC AND PARTS LIST

#9258AM ET-1 - White
 #9272AM ET-1 - Volcano (Orange)

#9299AM ET-1 - Red
 #9951AM ET-1 - Onyx (Black)



ET-1: 12 inches

#9258AM ET-1 White Power Head

Pos.	Part #	Description
100	2324GS	Chassis ET-1
101	2302GS	Bumper, cpl.
102	2314GS	Bearing block, left cpl.
103	2923	Belt 333 3M HTDII-6
104	5010AM	Brush roller, cpl.
105	2313GS	Bearing block, right cpl.
106	2929	Spring
107	2316GS	Pile adjustment assembly, cpl.
108	2909VO	Access door w/axle & spring
109	2304GS	Rear bottom plate, cpl.
110	2931GS	Pile adjustment button
111	2306GS	Wheel, cpl.
112	2937OR	Foot pedal w/axle & spring
113	2307GS	Swivel neck assembly, cpl.
114	0876ER	Wiring for swivel neck
115	2947GS	Cover, TS-neck
116	2950ER	Segments, metal (6 pc. set)
117	1737GS	Release button/w leaf spring
118	2952GS	Button cover
119	2945GS	Swivel neck slide
120	2951GS	Socket cover
121	01027	Screw F 3.9x9.5
122	2954	Swivel neck bearing
123	2311	Swivel neck support, right
124	2312	Swivel neck support, left
125	0880	Wiring swivel neck switch
126	2928	Axle
127	01021	Screw F 3.9x13
128	2973ER	Brush motor, 175W w/pulley (129 & 138)
129	05141S	Carbon brush set
130	01020	Screw F 3.9x21
131	2958ER	Lever w/leaf spring
132	05114	Single pole switch
133	0881	Wire
134	2983ER	Printed circuit board
135	2326GW	Power head cover ET-1, White
136	0176TL	Screw AM 4x30
137	5402	Wire tire
138	2319	Motor pulley
139	2957	On/off button/lens
140	2956	Brush light lens
141	2959ER	Switch assembly cpl. (131-133)
142	2780AM	Central Vac Adapter for ET-C, ET-H, ET-1, ET-2 and DISCO power heads. 35" cable, 1 1/4" or 1 3/8" diameter fitting.

#9272AM ET-1 Volcano (Orange)

Power Head Exceptions

135	2326VOET	Power head cover ET-1, Orange
-----	----------	-------------------------------

#9299AM ET-1 Red Power Head Exceptions

135	2326DR	Power head cover ET-1, Red
-----	--------	----------------------------

#9951AM ET-1 Onyx (Black) Power Head Exceptions

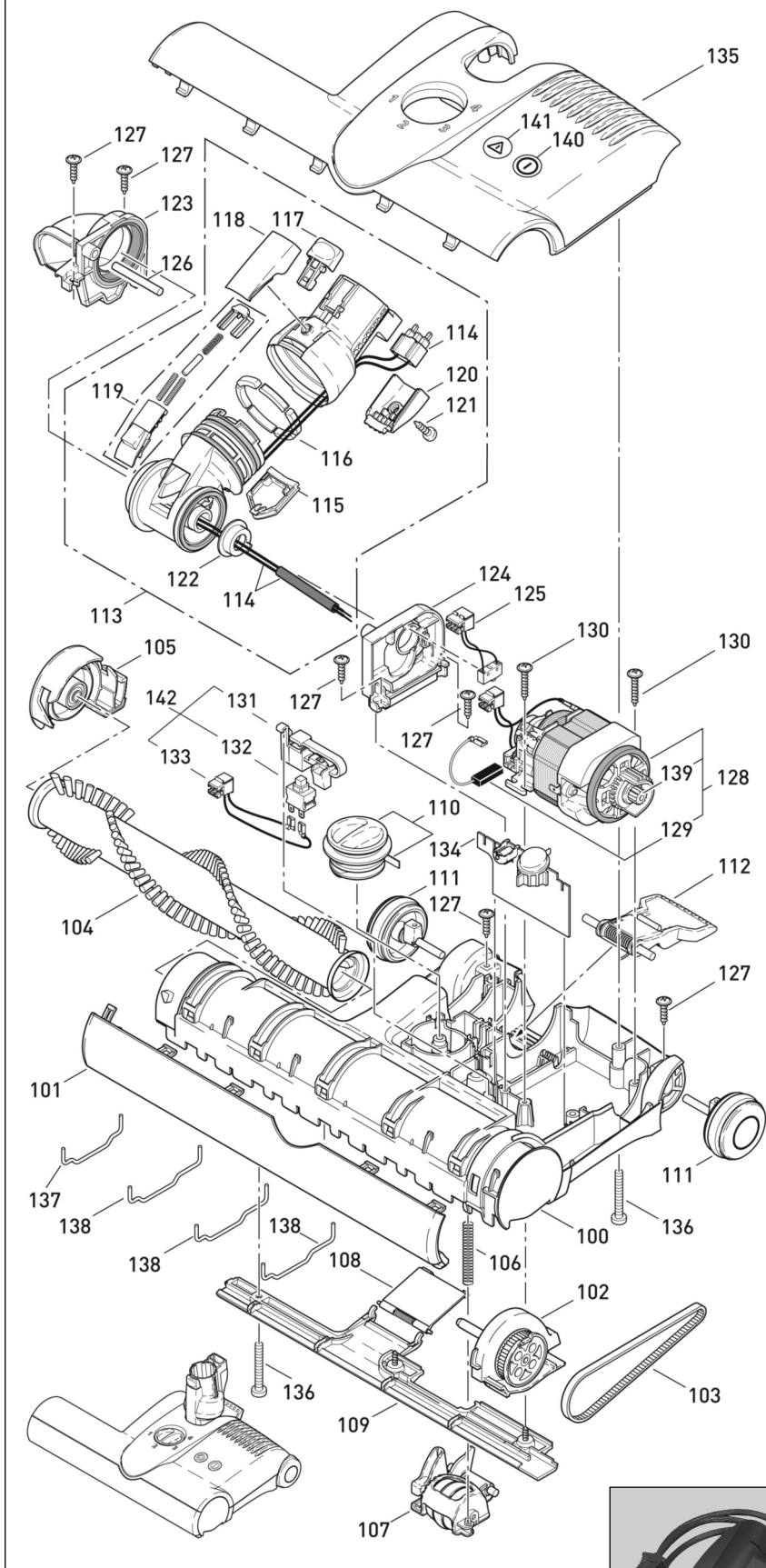
110	2931SB	Pile adjustment button
135	2326SWET	Power head cover ET-1, black



ET-2 SCHEMATIC AND PARTS LIST

#9259AM ET-2 - White
#9958AM ET-2 - Onyx

#9250AM ET-2 - Red



ET-2: 15 inches

#9259AM ET-2 White Power Head

Pos.	Part #	Description
100	2325GS	Chassis ET-2
101	2303GS	Bumper, cpl.
102	2314GS	Bearing block, left cpl.
103	2923	Belt 333 3M HTDII-6
104	2838AM	Brush roller, cpl.
105	2313GS	Bearing block, right cpl.
106	2929	Spring
107	2316GS	Pile adjustment assembly, cpl.
108	2909V0	Access door w/axle & spring
109	2305GS	Rear bottom plate, cpl.
110	2931GS	Pile adjustment button
111	2306GS	Wheel, cpl.
112	2937OR	Foot pedal w/axle & spring
113	2307GS	Swivel neck assembly, cpl.
114	0876ER	Wiring for swivel neck
115	2947GS	Cover, TS-neck
116	2950ER	Segments, metal (6 pc. set)
117	1737GS	Release button w/leaf spring
118	2952GS	Button cover
119	2945GS	Swivel neck slide
120	2951GS	Socket cover
121	01027	Screw F 3.9x9.5
122	2954	Swivel neck bearing
123	2311	Swivel neck support, right
124	2312	Swivel neck support, left
125	0880	Wiring swivel neck switch
126	2928	Axle
127	01021	Screw F 3.9x13
128	2974ER	Brush motor, 200W w/pulley (129 & 139))
129	05141S	Carbon brush set
130	01020	Screw F 3.9x21
131	2958ER	Lever w/leaf spring
132	05114	Single pole switch
133	0881	Wire
134	2984ER	Printed circuit board
135	2341GWET	Power head cover ET-2, White
136	0176TL	Screw AM 4x30
137	5401	Wire tire
138	5402	Wire tire
139	2319	Motor pulley
140	2957	On/off button/lens
141	2956	Brush light lens
142	2959ER	Switch assembly cpl. (131-133)
143	2780AM	Central Vac Adapter for ET-C, ET-H, ET-1, ET-2 and DISCO power heads. 35" cable, 1 1/4" or 1 3/8" diameter fitting.

#9250AM ET-2 Red Power Head Exceptions

135	2341DRET	Power head cover ET-2, Red
-----	----------	----------------------------

#9958AM ET-2 Onyx (Black) Power Head Exceptions

110	2931SB	Pile adjustment button - silver
135	2341SWET	Power head cover ET-2, Black

